



**HEAVY DUTY/SELF-PRIMING  
SOLIDS HANDLING/TRASH PUMPS**



**SUPER T & SUPER U SERIES**

## SERIES ST AND SU - SELF-PRIMING

### QUICK AND SIMPLE MAINTENANCE

ROUTINE MAINTENANCE SERVICES ARE CARRIED OUT QUICKLY AND EASILY WITH THE USE OF REGULAR TOOLS, THUS ECONOMIZING TIME AND LABOR.



### CLEANING AND INSPECTION

WITHOUT DISCONNECTING THE PIPEWORK (BACK - PULL - OUT)

ANOTHER ADVANTAGE OF THE SELF PUMP IS THAT CLEANING AND CLEARING ARE SIMPLE TASKS, AS ARE INSPECTION AND SUBSTITUTION OF THE IMPELLER AND SEAL, WHEN NECESSARY.

THE ST AND SU PUMPS WERE ESPECIALLY DESIGNED FOR QUICK CLEANING BEFORE RETURNING TO OPERATION.



EVEN DURING PREVENTIVE MAINTENANCE, INTERNAL INSPECTION CAN BE CARRIED OUT QUICKLY AND SAFELY. TO DO THIS, ALL THAT HAS TO BE DONE IS TO UNSCREW AND LIFT THE HANDLES OF THE INSPECTION COVER, AND THEN PERFORM THE CLEANING OPERATION, WITHOUT REMOVING THE CASING NOR DISCONNECTING THE PIPEWORK.

### SHIMLESS EXTERNAL IMPELLER ADJUSTMENT



AN EXCLUSIVE SYSTEM TO EXTERNALLY ADJUST THE IMPELLER CLEARANCE WITHOUT DISASSEMBLING THE PUMP. WITH THE USE OF JUST AN ALLEN OR FIXED WRENCH, SIMPLE ADJUSTMENT CAN OPTIMIZE PUMP EFFICIENCY WHILE EXTENDING THE LIFE OF BOTH IMPELLER AND WEAR PLATE.



**SERIES ST AND SU - SELF-PRIMING**

**CONSTRUCTION MATERIALS**

	STANDARD	TYPE A	TYPE B	TYPE C	TYPE D	TYPE E	TYPE F	TYPE G
<b>CASING</b>	A 48CL30					CD4 MCU	SS 316	ADI
<b>IMPELLER</b>	A 60-40-18	A 216	CD4 MCU	SS 316	ADI	CD4 MCU	SS 316	ADI
<b>WEAR PLATE</b>	SAE 1020	A 216	CD4 MCU	SS 316	ADI	CD4 MCU	SS 316	ADI
<b>COVER PLATE</b>	A 48CL30	A 216	CD4 MCU	SS 316	ADI	CD4 MCU	SS 316	ADI
<b>BEARING HOUSING</b>	A 48CL30					CD4 MCU	SS 316	ADI
<b>SEAL PLATE</b>	A 48CL30	A 216	CD4 MCU	SS 316	ADI	CD4 MCU	SS 316	ADI
<b>FLAP VALVE</b>	Neoprene					Viton		
<b>SLEEVE SHAFT</b>	ANSI 4140HT	ANSI 17-4						
<b>FLANGE</b>	A 48CL30				ADI	SS 316	SS 316	ADI
<b>O'RINGS</b>	Buna		Viton					
<b>IMPELLER SHAFT</b>	ANSI 4140HT	ANSI 17-4						
<b>MECHANICAL SEAL</b>	Casing in SS 316, O'rings in Buna & Viton, faces in titanium and tungsten carbide							

THE MECHANICAL SEAL FOR ALL MODELS HAS A 316SS BODY, VITON O'RINGS AND TUNGSTEN CARBIDE FACES. OTHER SEALS AVAILABLE UPON REQUEST.

ALL CAST IRON PARTS ARE ASTM 48, CLASS 30.

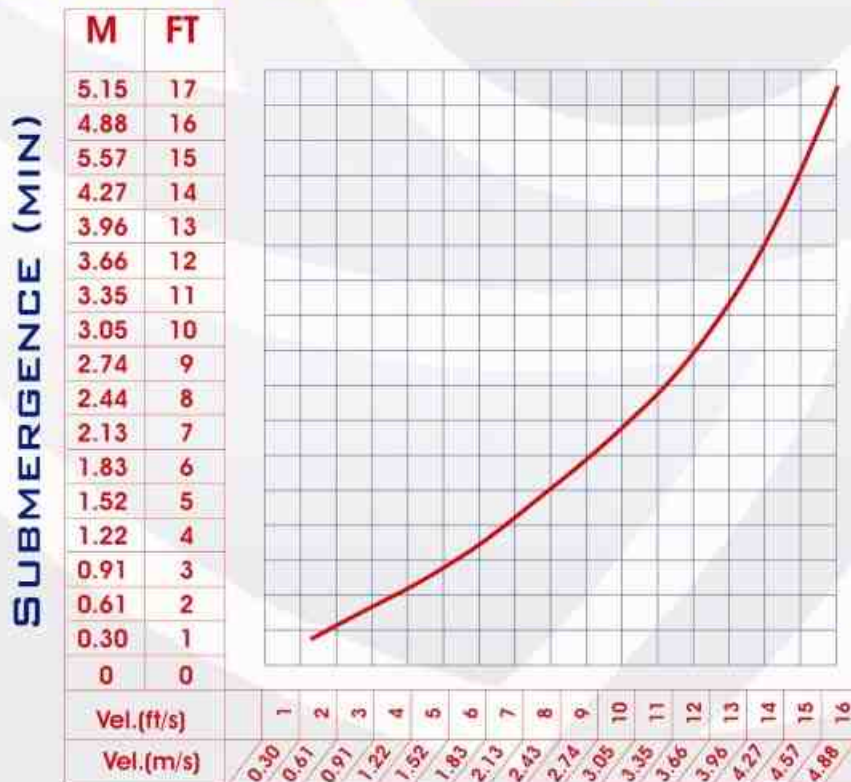
ALL CARBON STEEL SHAFTS ARE SAE 4140 HT

ALL PARTS LABELED CD4 ARE HARDENED 18-8 STAINLESS STEEL, CD4, DIN 1-4463

ALL PARTS LABELED 316SS ARE CF8M

EPOXY AND CERAMIC INTERNAL COATINGS ARE AVAILABLE. PLEASE CALL FOR QUOTE.

**SUCTION SPEED FLOW CURVE**



**NOTE 1:** THE SUGGESTED SUCTION SHOULD HAVE THE SAME NOMINAL DIAMETER AS THE PUMP, SO THAT THE SOLIDS WILL BE TOTALLY SWEEP UP.

**2:** IF THE SPEED IS HIGHER THAN 3.5 M/S AND IF THERE IS A NEED FOR HIGHER "NPSH", PLEASE CONTACT THE FACTORY.



**SERIES ST**

**MODEL ST-2**



**DATA SHEET**

**NET WEIGHT 92kg (203lbs)**  
**SHIPPING WEIGHTS 114kg (252lbs)**  
**IMPELLER DIA. 158,75mm (6.1/4")**  
**R.P.M. FROM 1150rpm TO 2900rpm**  
**MAX. SOLIDS 44,45mm (1.3/4")**

**SELF-PRIMING**

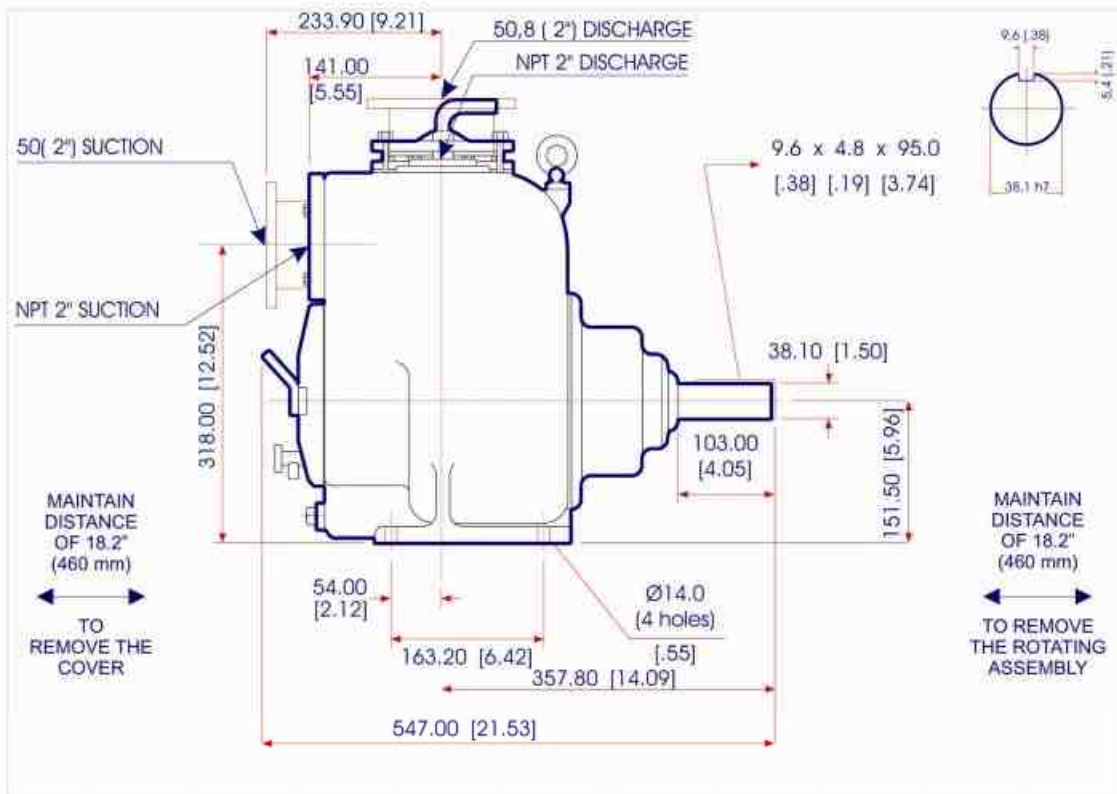
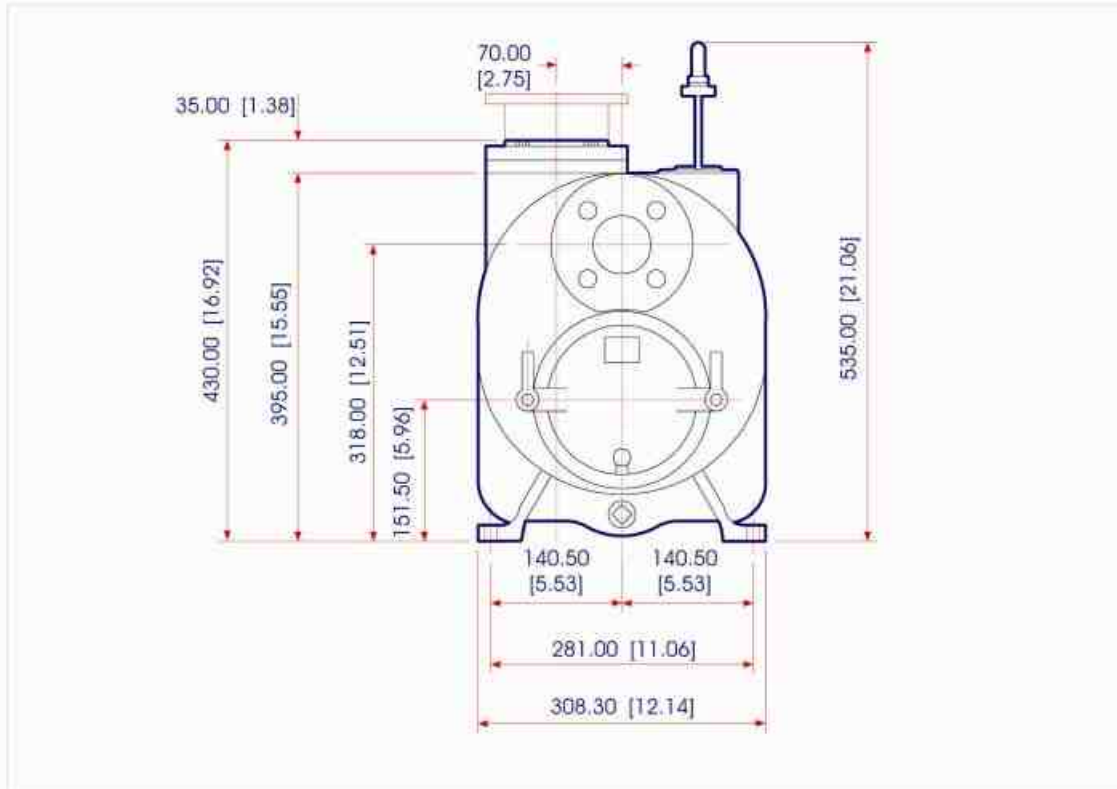
1150 RPM 7,3m (24ft) - 1450 RPM 7,6m (25ft)  
 1750 RPM 7,6m (25ft) - 2050 RPM 7,6m (25ft)  
 2350 RPM 7,6m (25ft) - 2650 RPM 7,6m (25ft)  
 2650 RPM 7,6m (25ft) - 2900 RPM 7,6m (25ft)

BEFORE USING THIS TABLE, CHECK THE NPSH.

**PERFORMANCE CURVE 2"x2"**



**EXTERNAL DIMENSIONS**  
MILLIMETERS (INCHES)





**SERIES ST**

**MODEL ST-3**



**DATA SHEET**

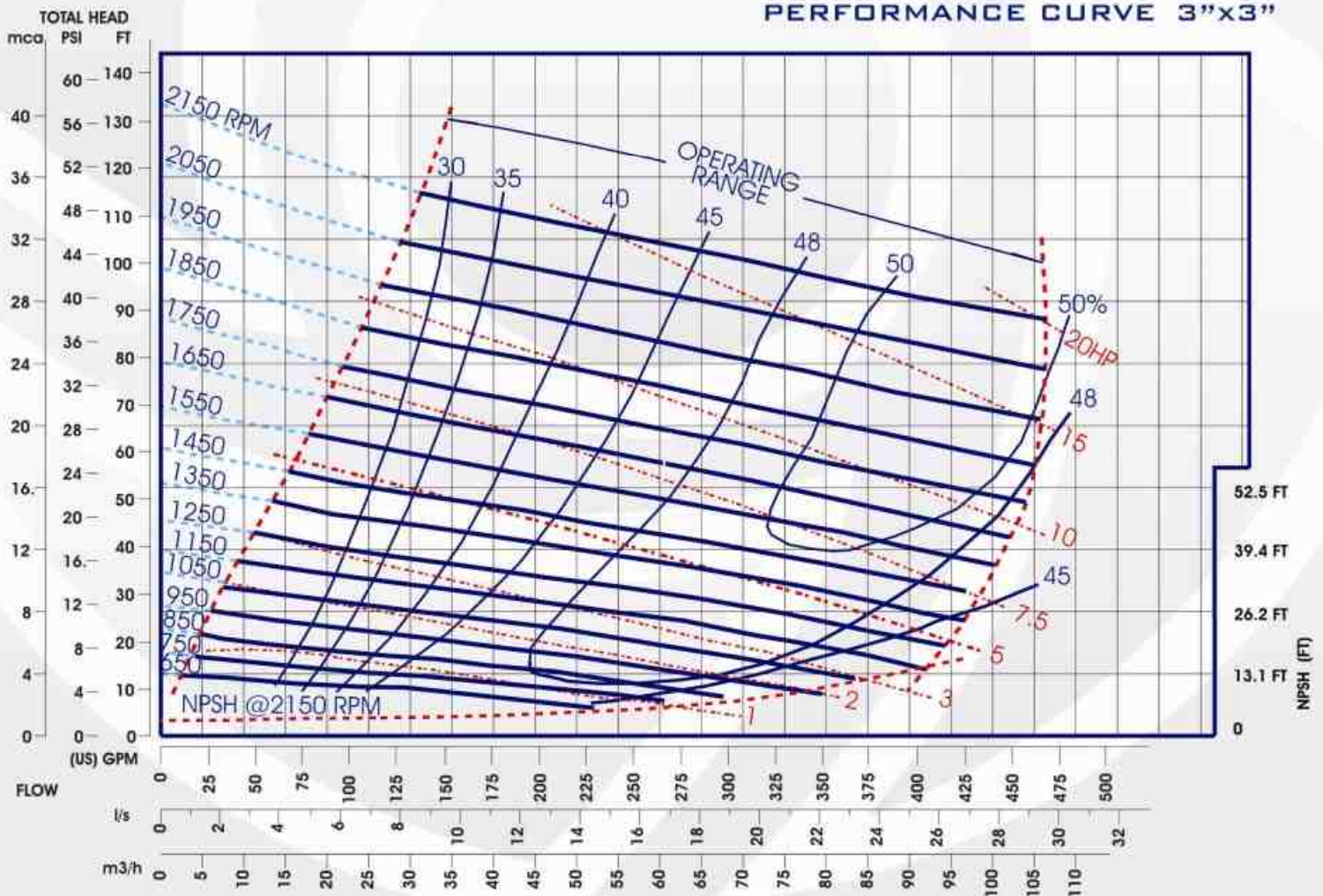
**NET WEIGHT 183kg (404lbs)**  
**SHIPPING WEIGHTS 205kg (452lbs)**  
**IMPELLER DIA. 222,25mm (8.3/4")**  
**R.P.M. FROM 650rpm TO 2150rpm**  
**MAX. SOLIDS 63,5mm (2.1/2")**

**SELF-PRIMING**

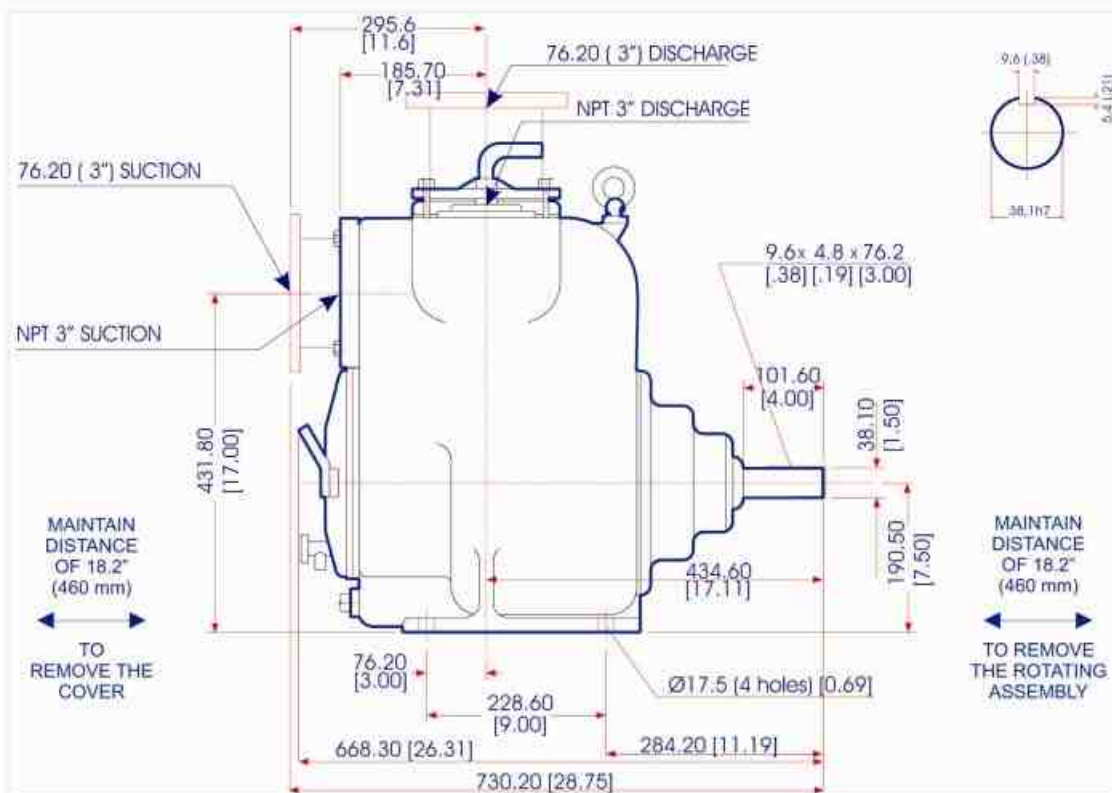
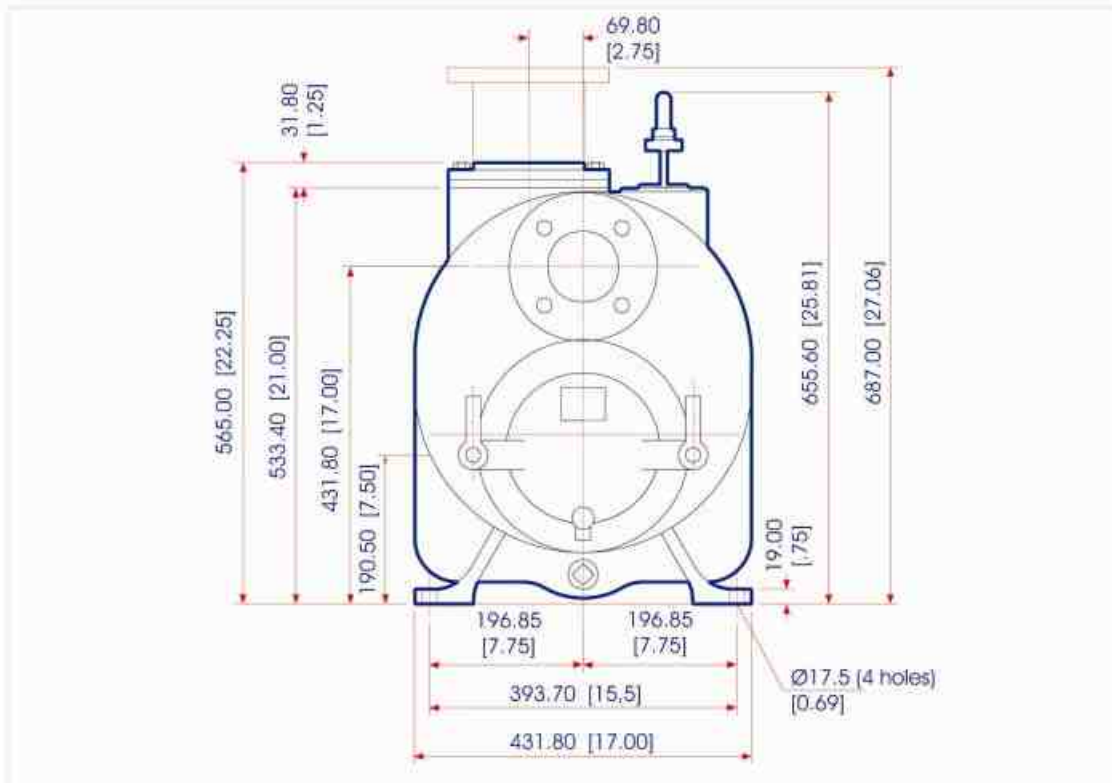
650 RPM 1,5m (5ft) - 750 RPM 1,8m (6ft)  
 850 RPM 2,4m (8ft) - 950 RPM 3,0m (10ft)  
 1050 RPM 4,0m (13ft) - 1150 RPM 4,9m (16ft)  
 1250 RPM 5,5m (18ft) - 1350 RPM 5,8m (19ft)  
 1450 RPM 6,4m (21ft) - 1550 RPM 6,4m (21ft)  
 1650 RPM 6,7m (22ft) - 1750 RPM 6,7m (22ft)  
 1850 RPM 7,6m (25ft) - 1950 RPM 7,6m (25ft)  
 2050 RPM 7,6m (25ft) - 2150 RPM 7,6m (25ft)

BEFORE USING THIS TABLE, CHECK THE NPSH.

**PERFORMANCE CURVE 3"x3"**



**EXTERNAL DIMENSIONS**  
MILLIMETERS (INCHES)





**SERIES ST**

**MODEL ST-4**



**DATA SHEET**

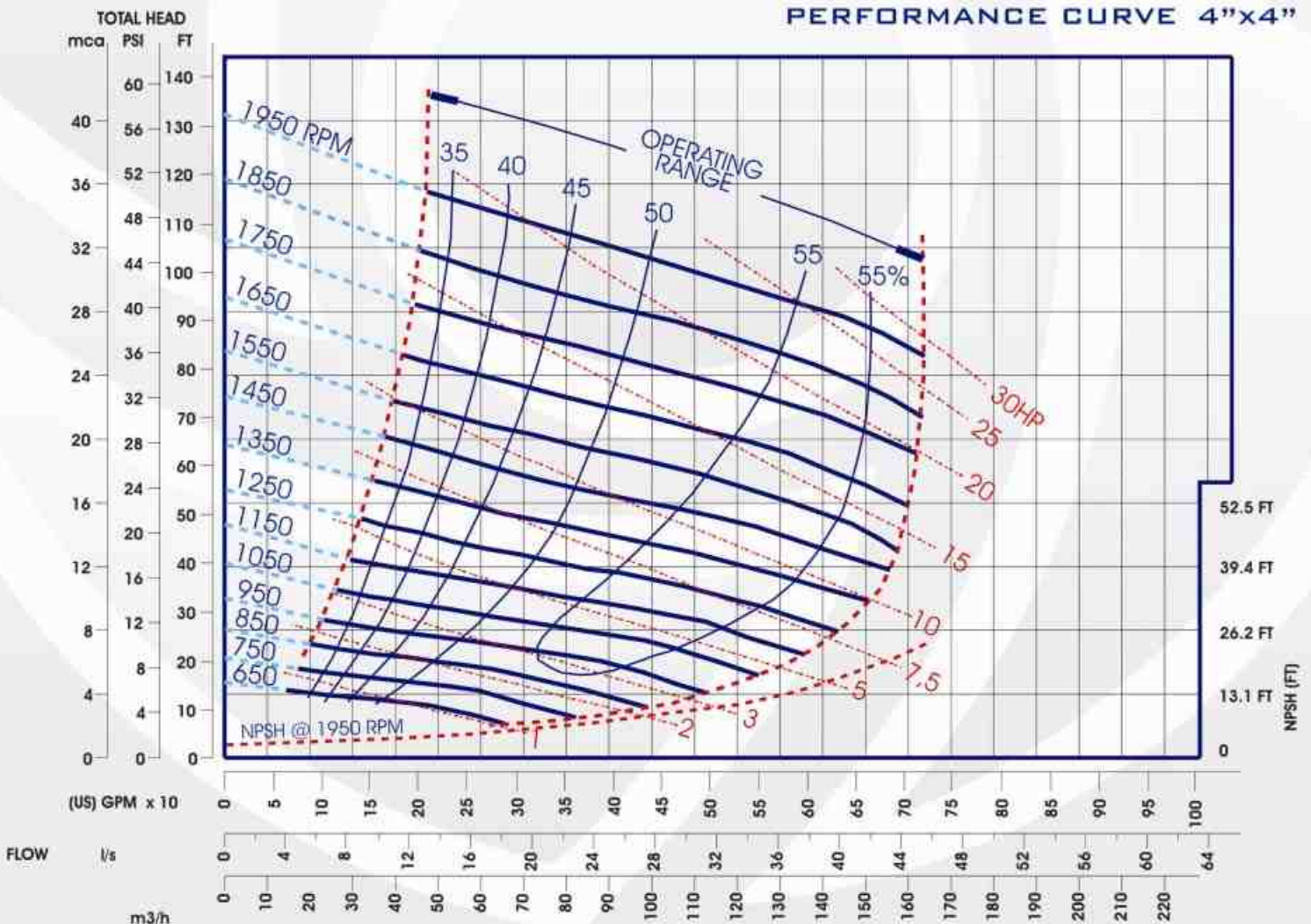
**NET WEIGHT 259,5kg (600lbs)**  
**SHIPPING WEIGHTS 280kg (655lbs)**  
**IMPELLER DIA. 247,65mm (9.3/4")**  
**R.P.M. FROM 650rpm TO 1950rpm**  
**MAX. SOLIDS 76,2mm (3")**

**SELF-PRIMING**

650 RPM 1,5m (5ft)	-	750 RPM 2,4m (8ft)
850 RPM 4,9m (16ft)	-	950 RPM 5,8m (19ft)
1050 RPM 6,7m (22ft)	-	1150 RPM 7,3m (24ft)
1250 RPM 7,6m (25ft)	-	1350 RPM 7,6m (25ft)
1450 RPM 7,6m (25ft)	-	1550 RPM 7,6m (25ft)
1650 RPM 7,6m (25ft)	-	1750 RPM 7,6m (25ft)
1850 RPM 7,6m (25ft)	-	1950 RPM 7,6m (25ft)

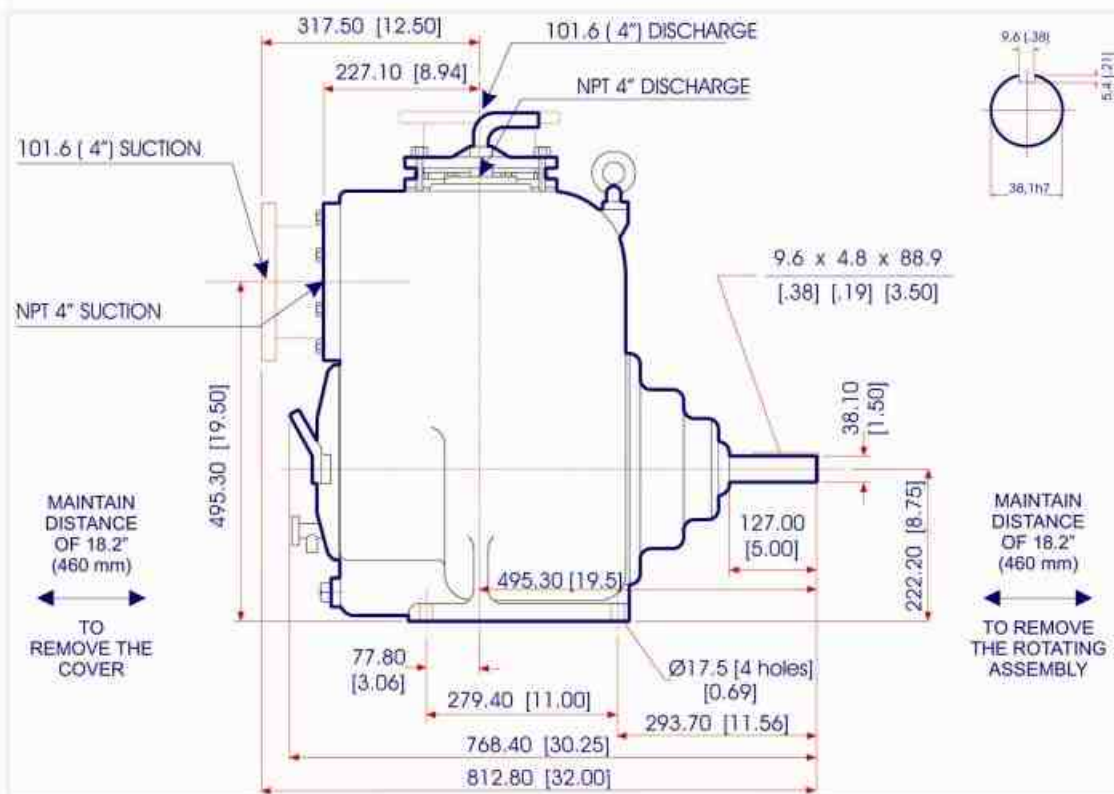
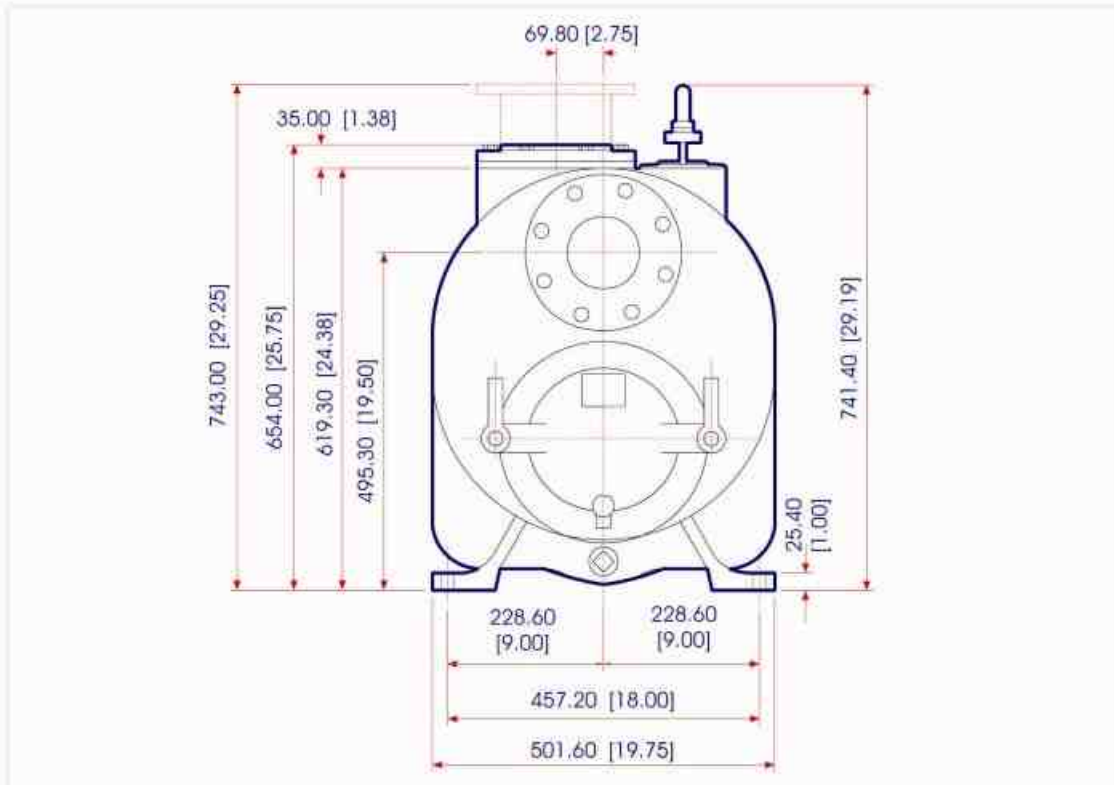
BEFORE USING THIS TABLE, CHECK THE NPSH.

**PERFORMANCE CURVE 4"x4"**





**EXTERNAL DIMENSIONS**  
MILLIMETERS (INCHES)



**SERIES ST**

**MODEL ST-6**



**DATA SHEET**

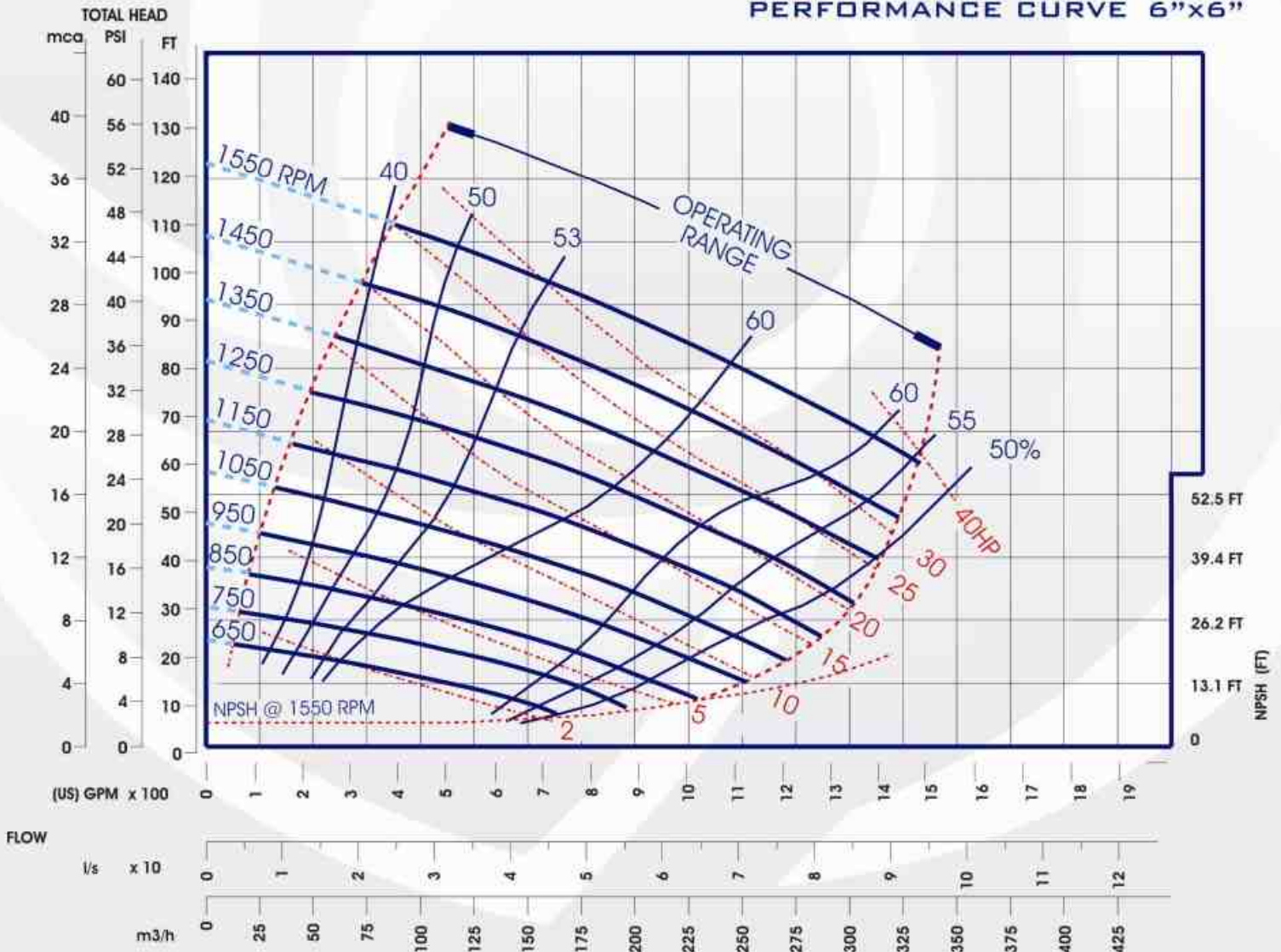
**NET WEIGHT 364kg (802lbs)**  
**SHIPPING WEIGHTS 391kg (862lbs)**  
**IMPELLER DIA. 314,32mm (12.3/8")**  
**R.P.M. FROM 650rpm TO 1550rpm**  
**MAX. SOLIDS 76,2mm (3")**

**SELF-PRIMING**

650 RPM 2,4m (8ft) - 750 RPM 2,7m (9ft)  
 850 RPM 3,6m (12ft) - 950 RPM 4,2m (14ft)  
 1050 RPM 5,5m (18ft) - 1150 RPM 6,4m (21ft)  
 1250 RPM 6,4m (21ft) - 1350 RPM 6,7m (22ft)  
 1450 RPM 7,0m (23ft) - 1550 RPM 7,6m (25ft)

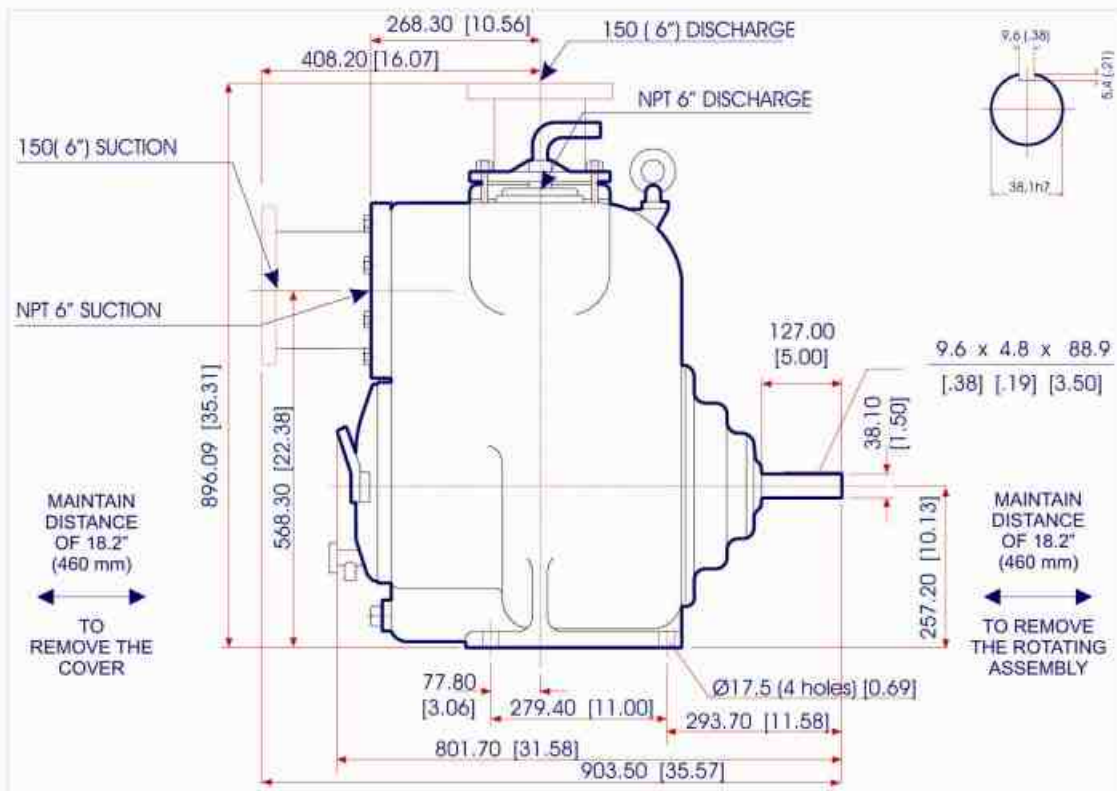
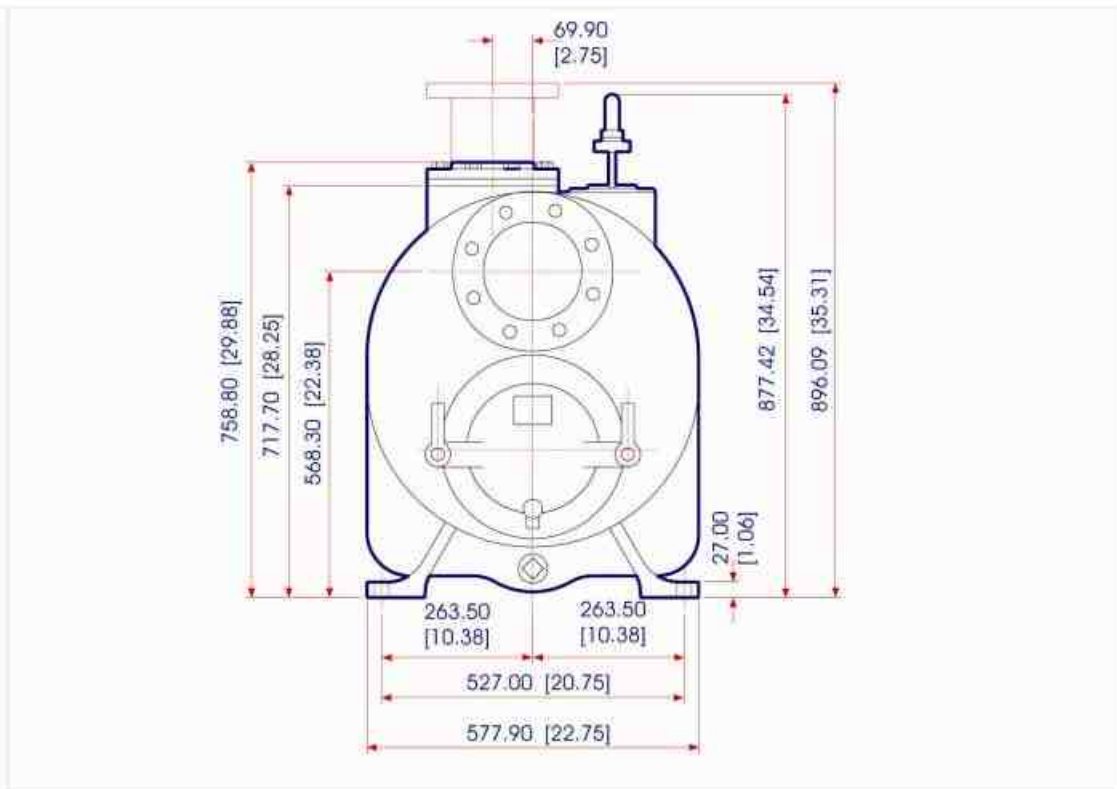
BEFORE USING THIS TABLE, CHECK THE NPSH.

**PERFORMANCE CURVE 6"x6"**





**EXTERNAL DIMENSIONS**  
MILLIMETERS (INCHES)



**SERIES ST**

**MODEL ST-8**



**DATA SHEET**

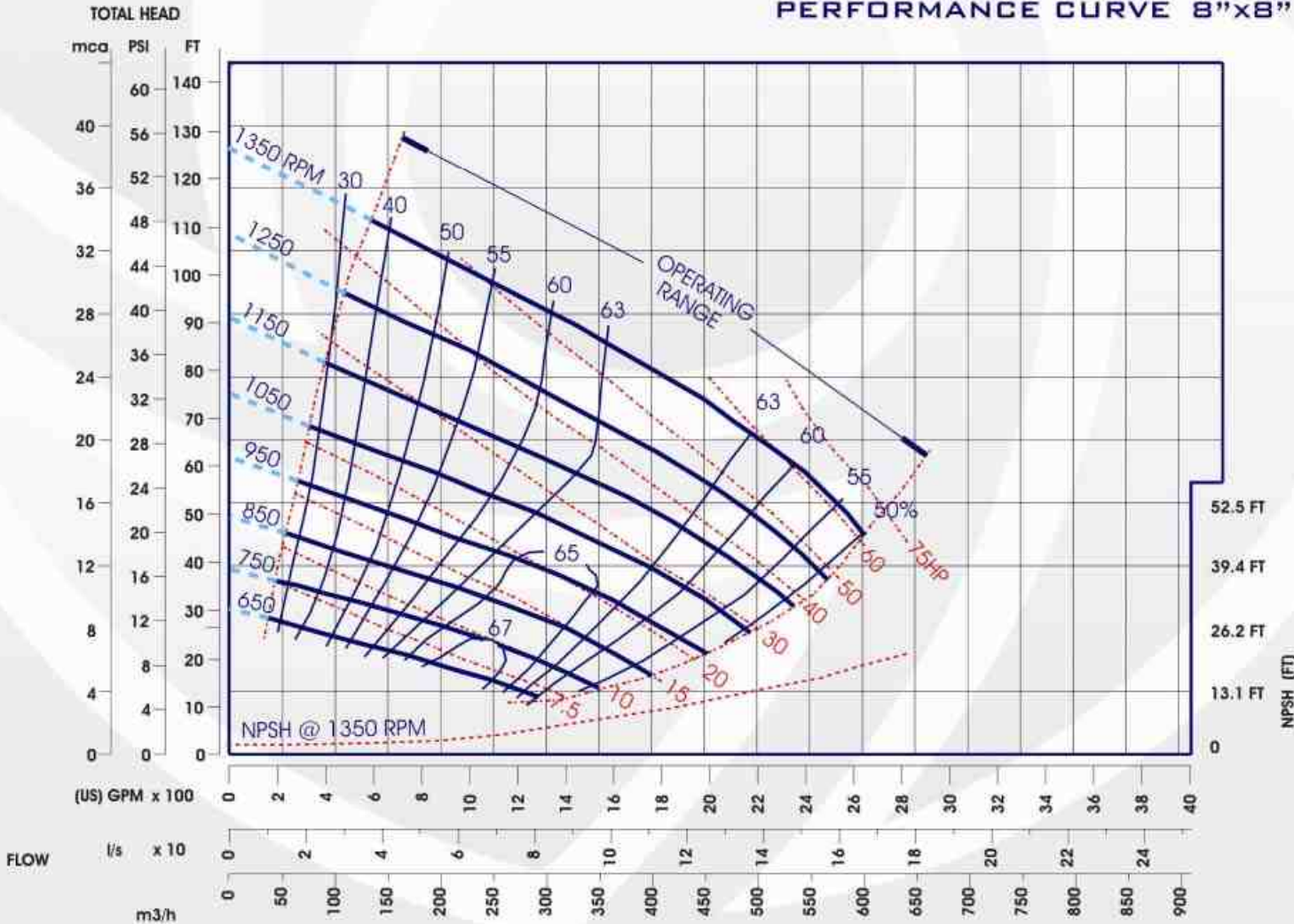
**NET WEIGHT 581kg (1295lbs)**  
**SHIPPING WEIGHTS 634kg (1399lbs)**  
**IMPELLER DIA. 374.65mm (14.3/4")**  
**R.P.M. FROM 650rpm TO 1350rpm**  
**MAX. SOLIDS 76,2mm (3")**

**SELF-PRIMING**

650 RPM 2,7m (9ft) - 750 RPM 3,7m (12ft)  
 850 RPM 4,6m (15ft) - 950 RPM 5,2m (17ft)  
 1050 RPM 6,1m (20ft) - 1150 RPM 6,4m (21ft)  
 1250 RPM 6,7m (22ft) - 1350 RPM 7,0m (23ft)

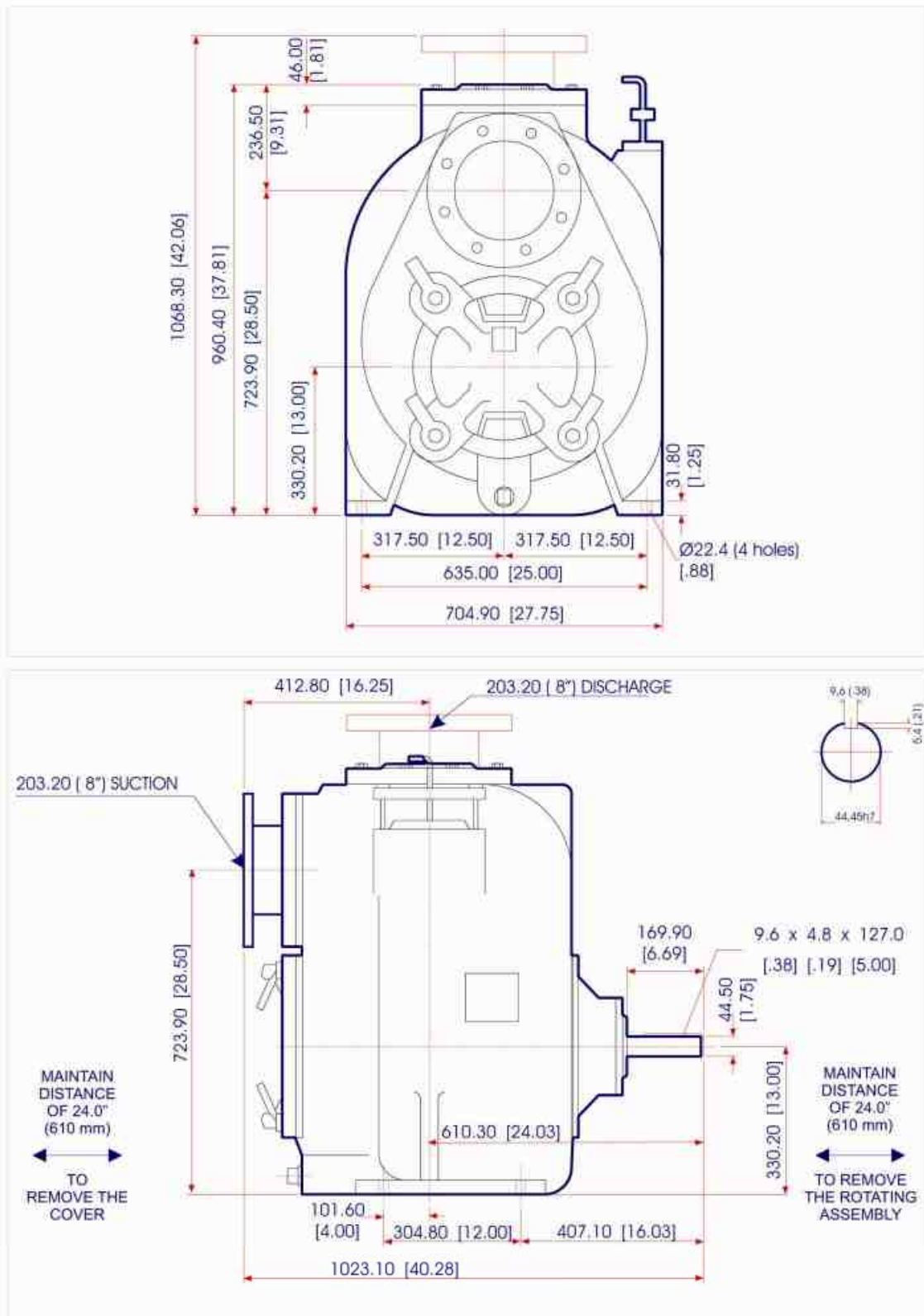
BEFORE USING THIS TABLE, CHECK THE NPSH.

**PERFORMANCE CURVE 8"x8"**





**EXTERNAL DIMENSIONS**  
MILLIMETERS (INCHES)



**SERIES ST**

**MODEL ST-10**



**DATA SHEET**

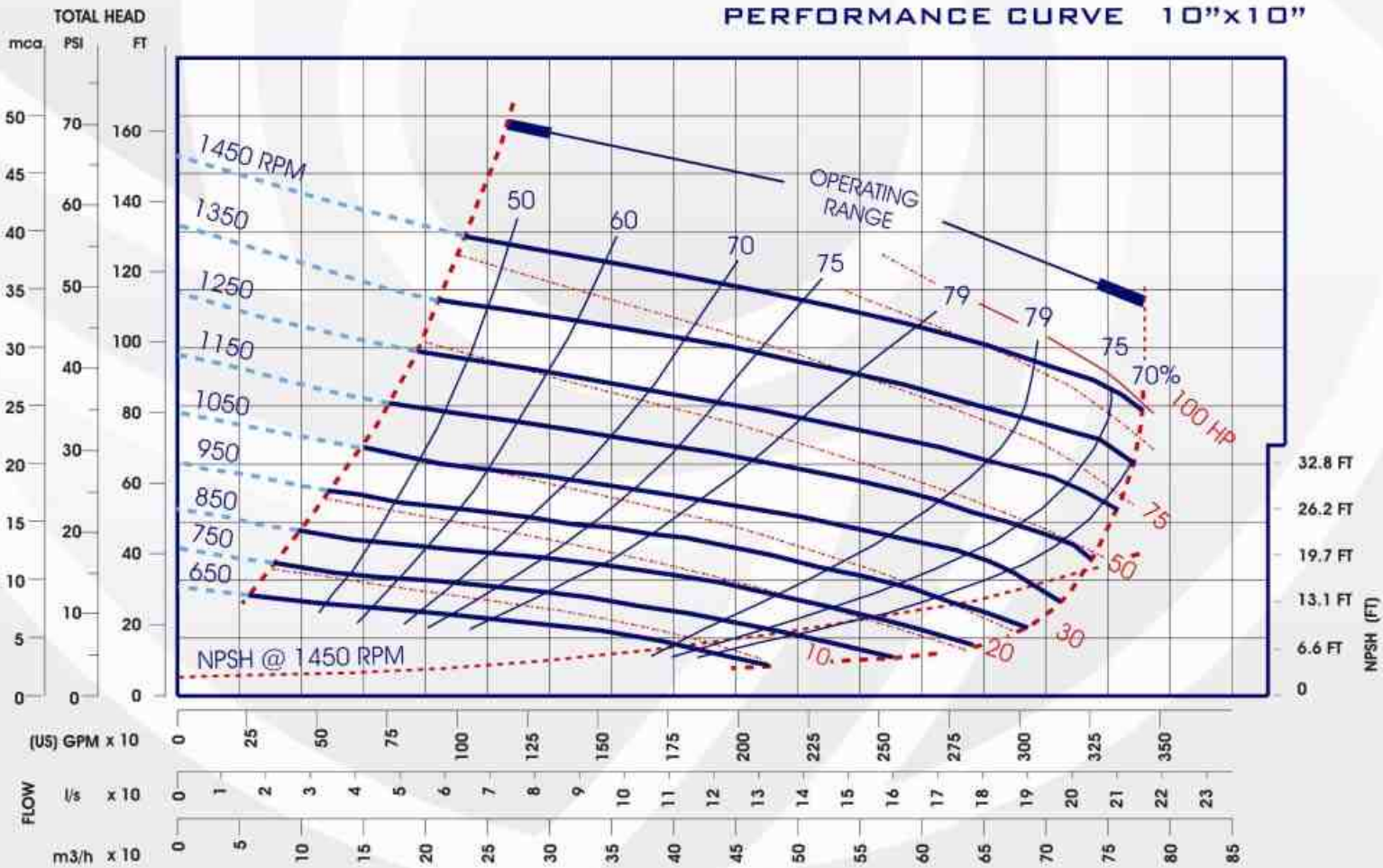
**NET WEIGHT 635kg (1400lbs)**  
**SHIPPING WEIGHTS 663kg (1461 lbs)**  
**IMPELLER DIA. 374,65mm (14.3/4")**  
**R.P.M. FROM 650rpm TO 1450rpm**  
**MAX. SOLIDS 76,2mm (3")**

**SELF-PRIMING**

650 RPM 2,1m (7ft) - 750 RPM 3,4m (11ft)  
 850 RPM 4,3m (14ft) - 950 RPM 5,2m (17ft)  
 1050 RPM 5,5m (18ft) - 1150 RPM 5,5m (18ft)  
 1250 RPM 5,8m (19ft) - 1350 RPM 6,7m (22ft)  
 1450 RPM 6,7m (22ft)

BEFORE USING THIS TABLE, CHECK THE NPSH.

**PERFORMANCE CURVE 10"x10"**







**SERIES ST**

**MODEL ST-12**



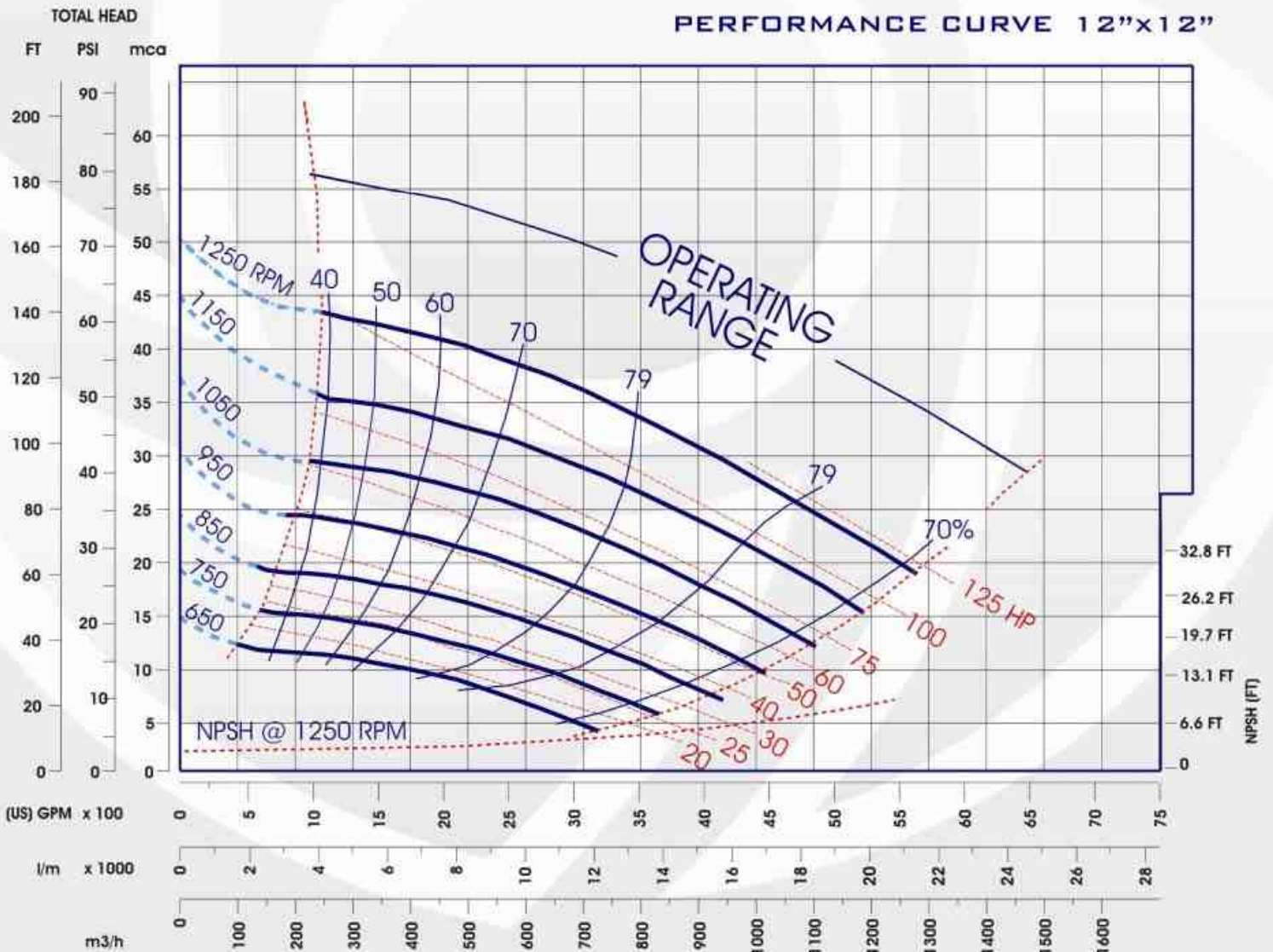
**DATA SHEET**

**NET WEIGHT 998kg (2200lbs)**  
**SHIPPING WEIGHTS 1066kg (2350lbs)**  
**IMPELLER DIA. 457,2mm (18")**  
**R.P.M. FROM 650rpm TO 1250rpm**  
**MAX. SOLIDS 76,2mm (3")**

**SELF-PRIMING**

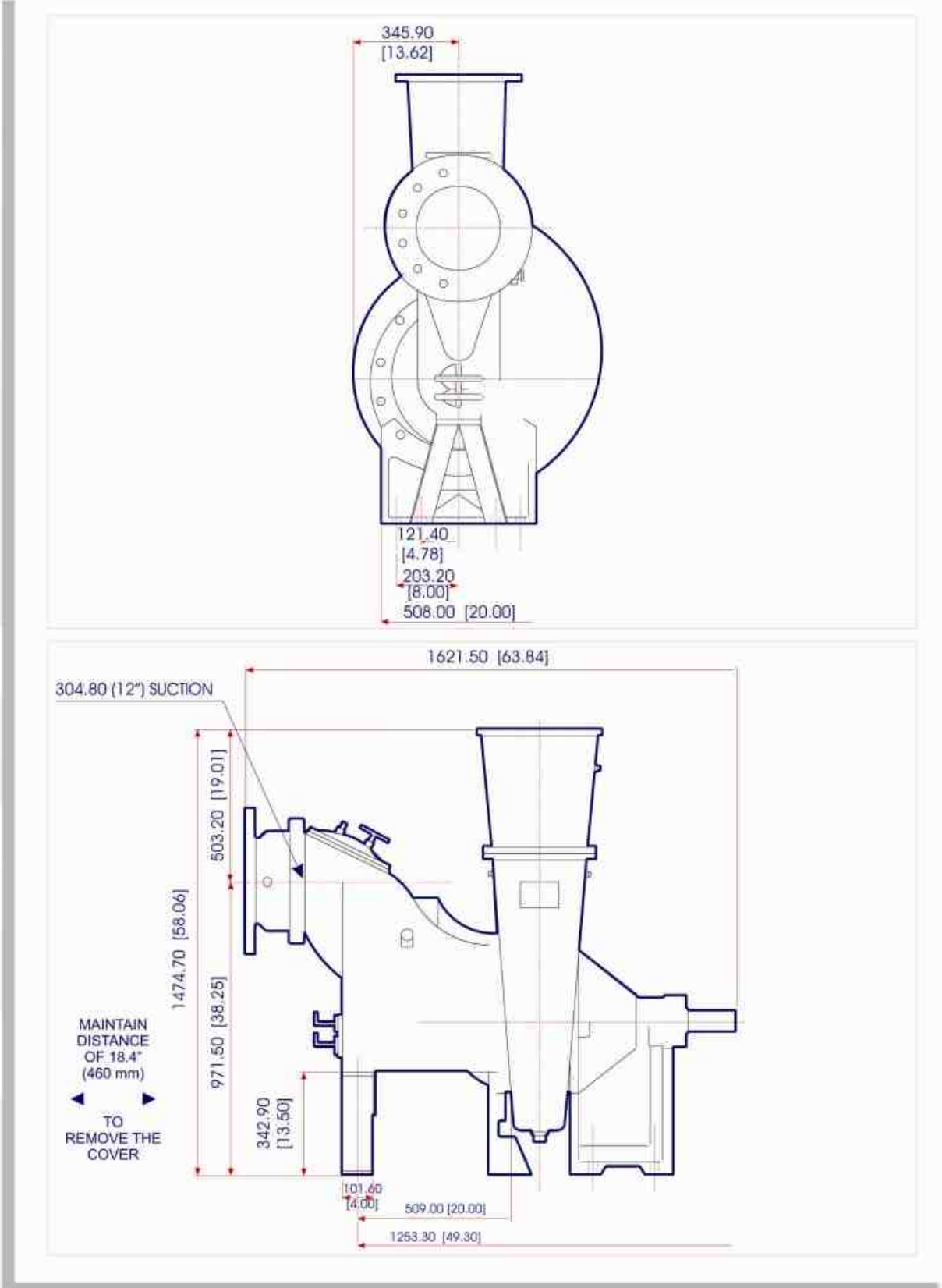
650 RPM 1,6m (5ft) - 750 RPM 2,7m (9ft)  
 850 RPM 3,9m (13ft) - 950 RPM 4,5m (15ft)  
 1050 RPM 4,9m (16ft) - 1150 RPM 4,9m (16ft)  
 1250 RPM 4,9m (16ft)

BEFORE USING THIS TABLE, CHECK THE NPSH.





**EXTERNAL DIMENSIONS**  
MILLIMETERS (INCHES)



**SERIES SU**

**MODEL SU-3**



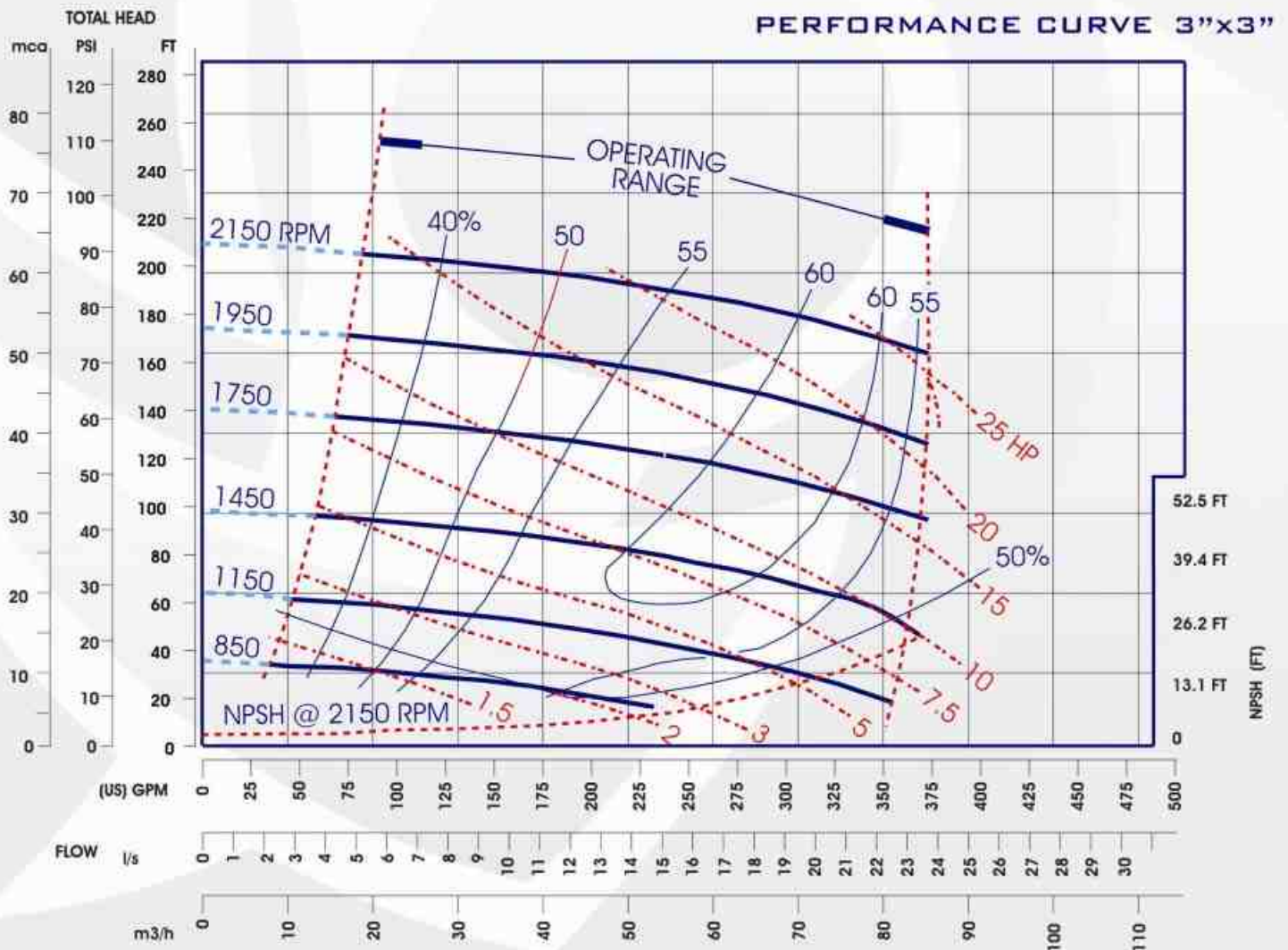
**DATA SHEET**

**NET WEIGHT 214kg (472lbs)**  
**SHIPPING WEIGHTS 225kg (497lbs)**  
**IMPELLER DIA. 279,4mm (11")**  
**R.P.M. FROM 850rpm TO 2150rpm**  
**MAX. SOLIDS 20,63mm (13/16")**

**SELF-PRIMING**

**850 RPM 2,3m (7ft) - 1150 RPM 2,9m (9ft)**  
**1450 RPM 4,5m (15ft) - 1750 RPM 7,6m (25ft)**  
**1950 RPM 7,6m (25ft) - 2150 RPM 7,6m (25ft)**

**BEFORE USING THIS TABLE, CHECK THE NPSH.**







**SERIES SU**

**MODEL SU-4**



**DATA SHEET**

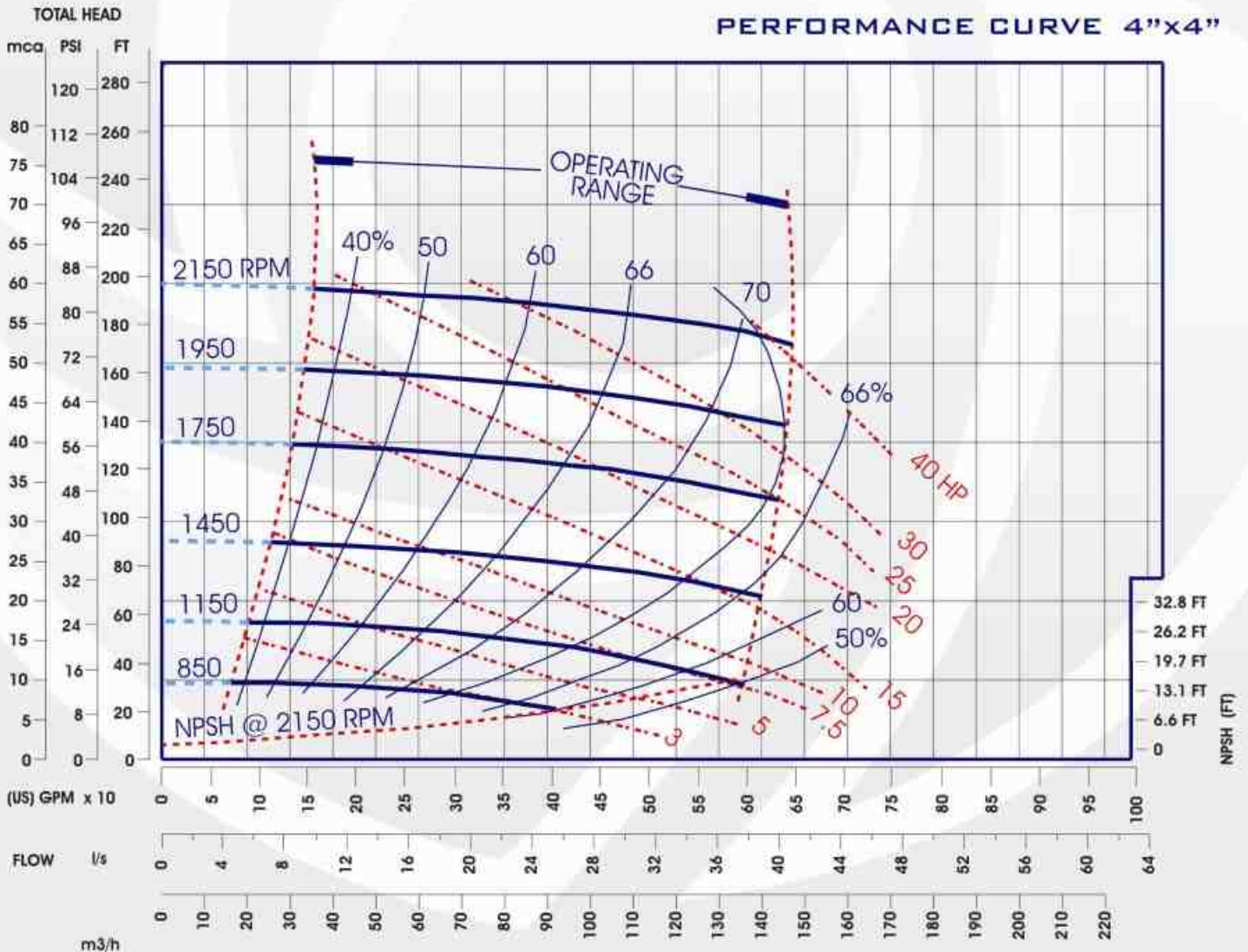
**NET WEIGHT 272kg (600lbs)**  
**SHIPPING WEIGHTS 297kg (655lbs)**  
**IMPELLER DIA. 279,4mm (11")**  
**R.P.M. FROM 850rpm TO 2150rpm**  
**MAX. SOLIDS 28.57mm (1.1/8")**

**SELF-PRIMING**

850 RPM 2,4m (8ft) - 1150 RPM 3,0m (10ft)  
 1450 RPM 3,6m (12ft) - 1750 RPM 3,9m (13ft)  
 1950 RPM 4,5m (15ft) - 2150 RPM 5,2m (17ft)

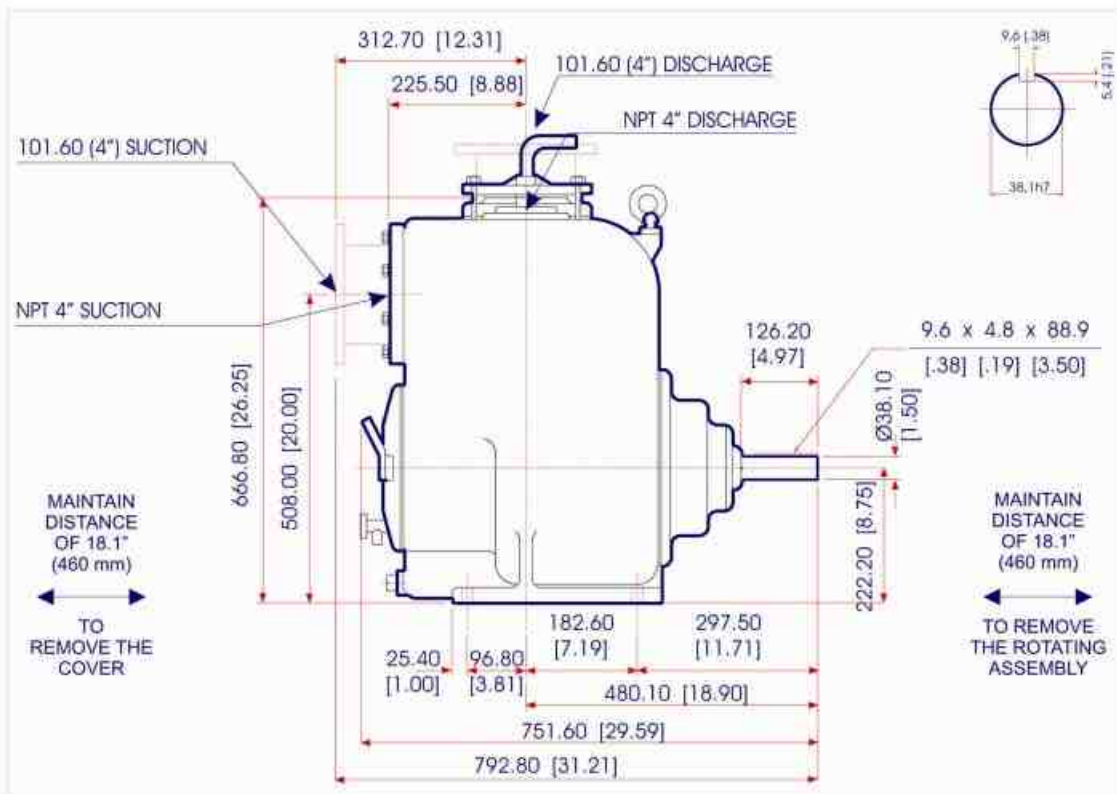
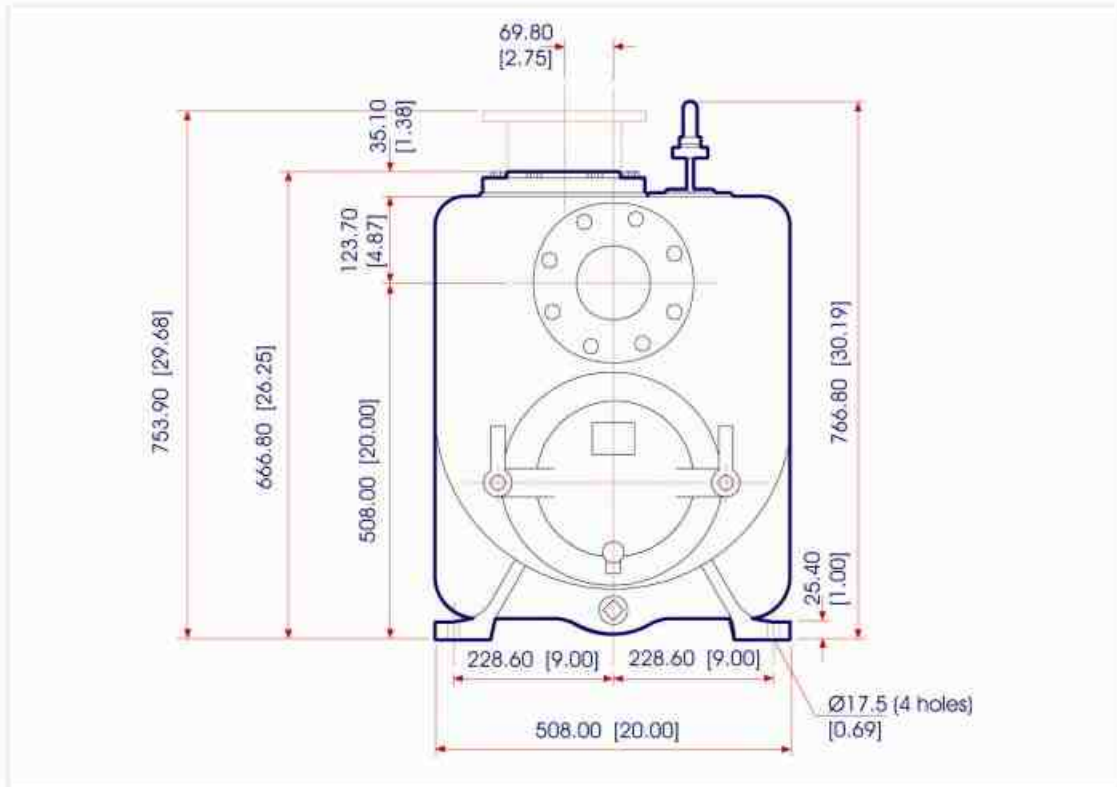
BEFORE USING THIS TABLE, CHECK THE NPSH.

**PERFORMANCE CURVE 4"x4"**





**EXTERNAL DIMENSIONS**  
MILLIMETERS (INCHES)



**SERIES SU**

**MODEL SU-6**



**DATA SHEET**

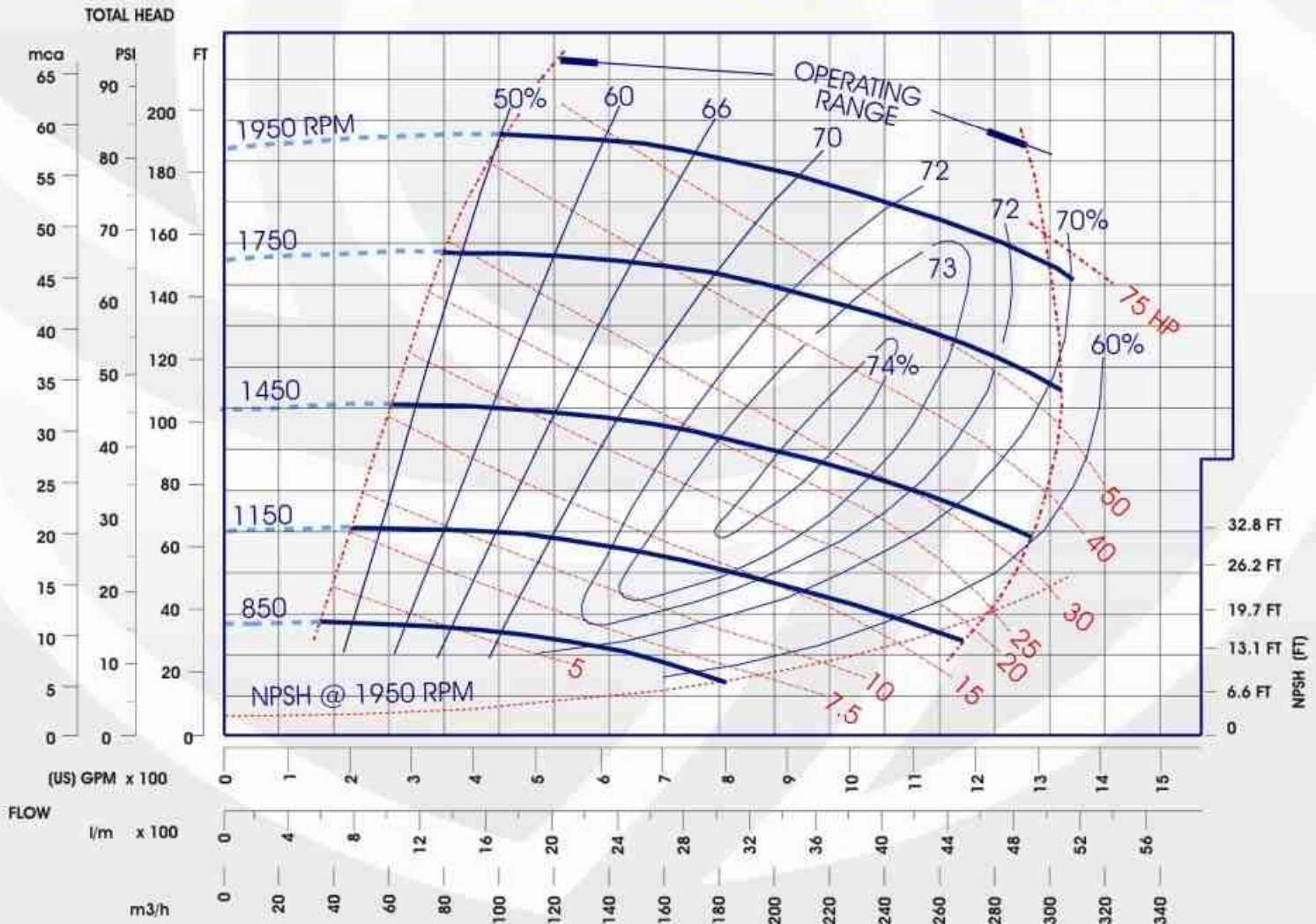
**NET WEIGHT 413kg (910lbs)**  
**SHIPPING WEIGHTS 437kg (965lbs)**  
**IMPELLER DIA. 317,5mm (12.1/2")**  
**R.P.M. FROM 850rpm TO 1950rpm**  
**MAX. SOLIDS 31,75mm (1.1/4")**

**SELF-PRIMING**

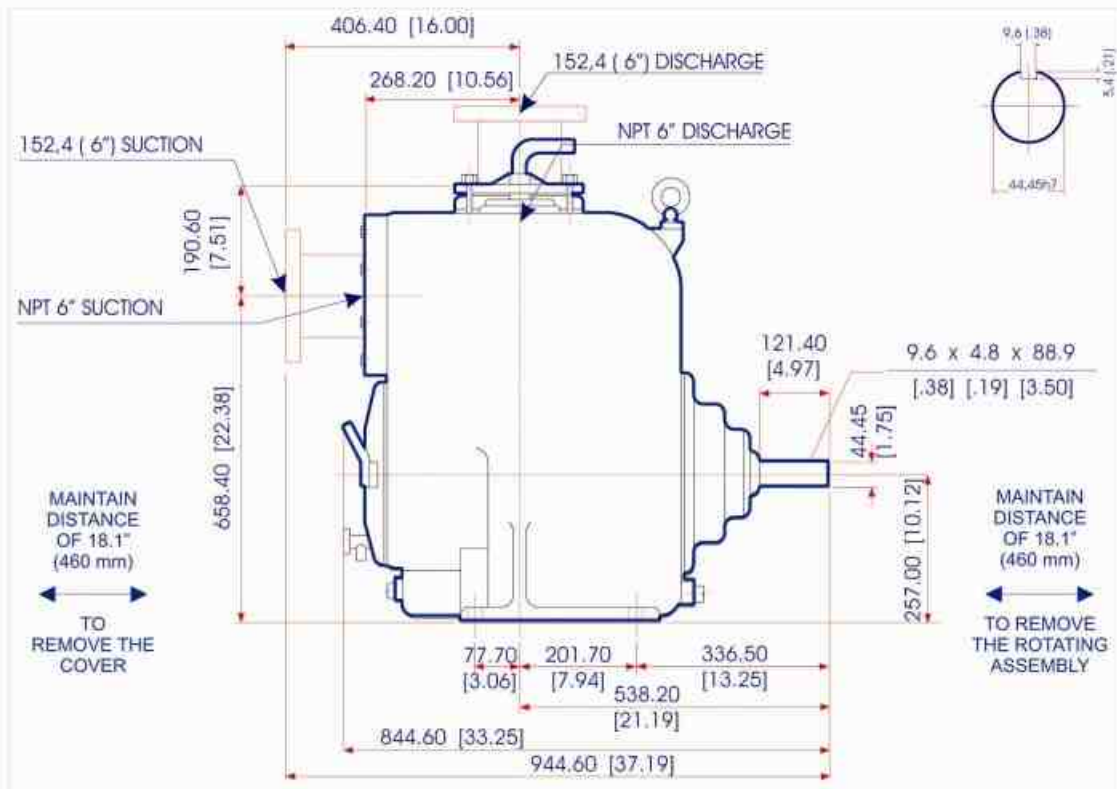
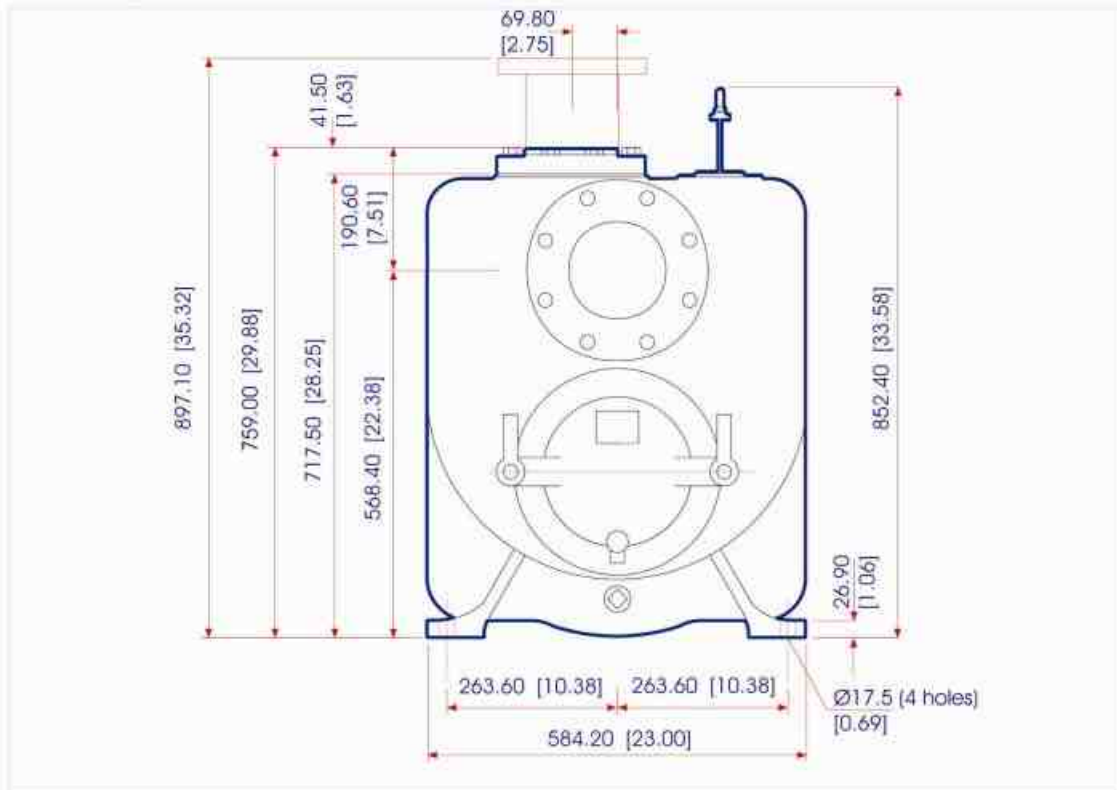
**850 RPM 2,4m (8ft) - 1150 RPM 3,0m (10ft)**  
**1450 RPM 4,2m (10ft) - 1750 RPM 4,5m (15ft)**  
**1950 RPM 4,5m (15ft)**

**BEFORE USING THIS TABLE, CHECK THE NPSH.**

**PERFORMANCE CURVE 6"x6"**

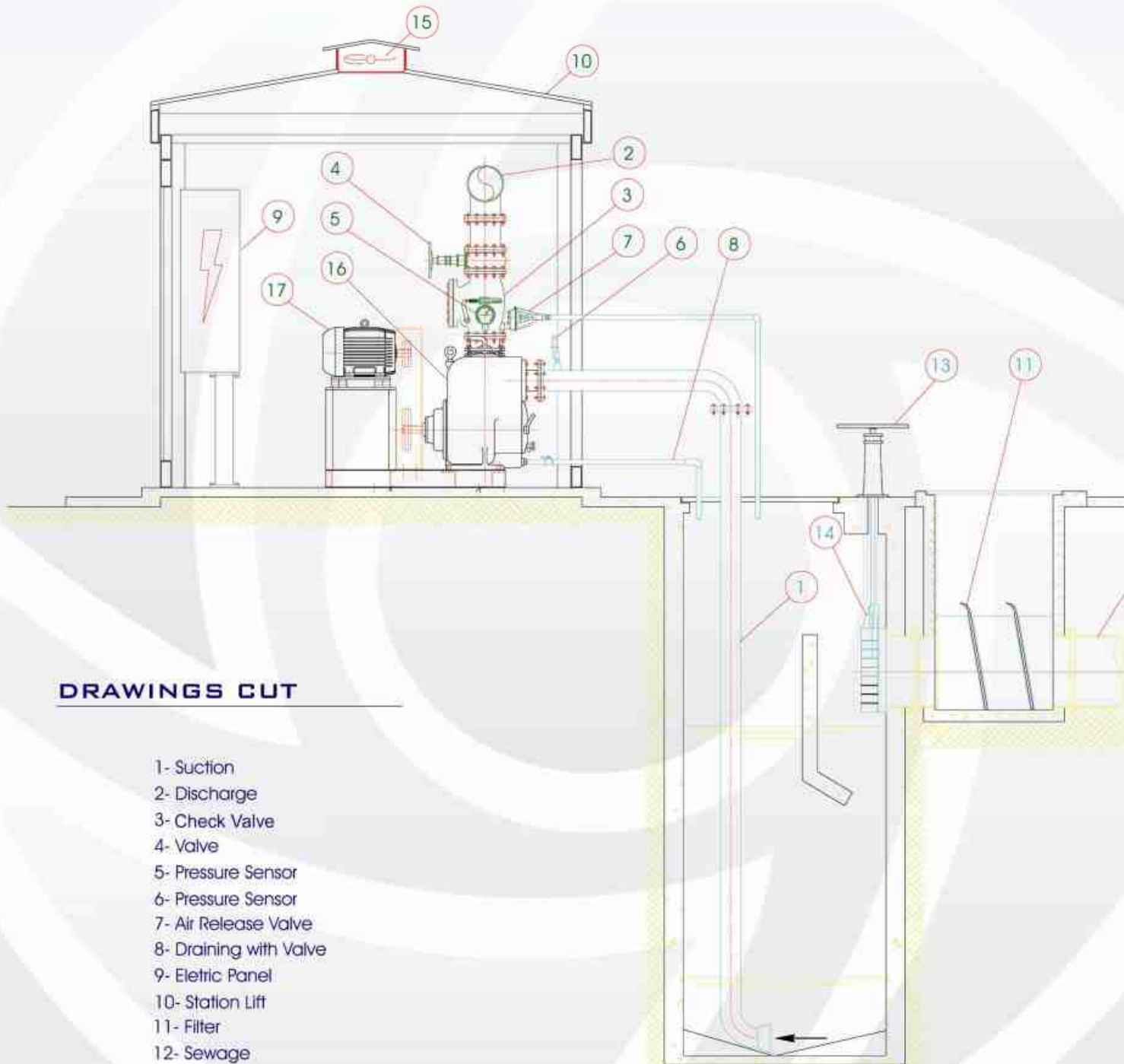


**EXTERNAL DIMENSIONS**  
MILLIMETERS (INCHES)





## STATION LIFT



### DRAWINGS CUT

- 1- Suction
- 2- Discharge
- 3- Check Valve
- 4- Valve
- 5- Pressure Sensor
- 6- Pressure Sensor
- 7- Air Release Valve
- 8- Draining with Valve
- 9- Electric Panel
- 10- Station Lift
- 11- Filter
- 12- Sewage
- 13- Clean System
- 14- Valve
- 15- Fan
- 16- Pump
- 17- Electric Motor